



# Z5660

1.6 GPF ADA Height, Elongated  
Floor Mounted Flush Valve Toilet

TAG \_\_\_\_\_



Z5660 Series

### Z5660 Series

- 1.6 gpf (gallons per flush)
- Vitreous china
- Elongated front rim, 17" high, ADA compliant
- 2" fully glazed trapway
- Siphon jet flush action
- 1-1/2" top spud
- Includes bolt caps
- Shipping Weight: 57 lbs.

### Engineering Specification:

- Z5660 with Top Spud**  
Vitreous china, 1.6 gpf [6 Lpf] low consumption, ADA compliant, floor mounted toilet with siphon jet flush action and elongated front rim with 1-1/2" top spud and two bolt caps.
- Z5661 with Bedpan Lugs**  
Vitreous china, 1.6 gpf [6 Lpf] low consumption, ADA compliant, floor mounted toilet with siphon jet flush action and elongated front rim designed to accommodate a bedpan with 1-1/2" top spud and two bolt caps.

*These dimensions and specifications are subject to change without notice.*

*Fixture dimensions meet ANSI/ASME standard A112.19.2 and CAN/CSA B45 requirements.*

*Meets the American Disabilities Guidelines and ANSI A117.1 requirements.*



This space is for Architectural/engineering Approval

### Recommended Trim:

- Z6000AV-WS1**  
AquaVantage® 'AV' low consumption 1.6 gpf exposed closet flush valve.
- Z5955SS-EL** Elongated, standard white, open front toilet seat less cover with stainless steel check hinge.
- Z5972-COMB** Closet bolt/wax ring kit.

### Optional Trim:

- Z5795-FLO-JR** PVC Flo-Bowl Jr. closet flange kit

### Optional Water-Savings Trim:

- Z6000AV-DF-WS1** AquaVantage® AV dual flush water-conserving exposed closet flush valve (estimated 30% potential water savings).

Distributed by:

WaterWise Technologies International  
P.O. Box 18959 · Asheville, NC 28804

[www.waterwisetech.net](http://www.waterwisetech.net)  
828.252.8144



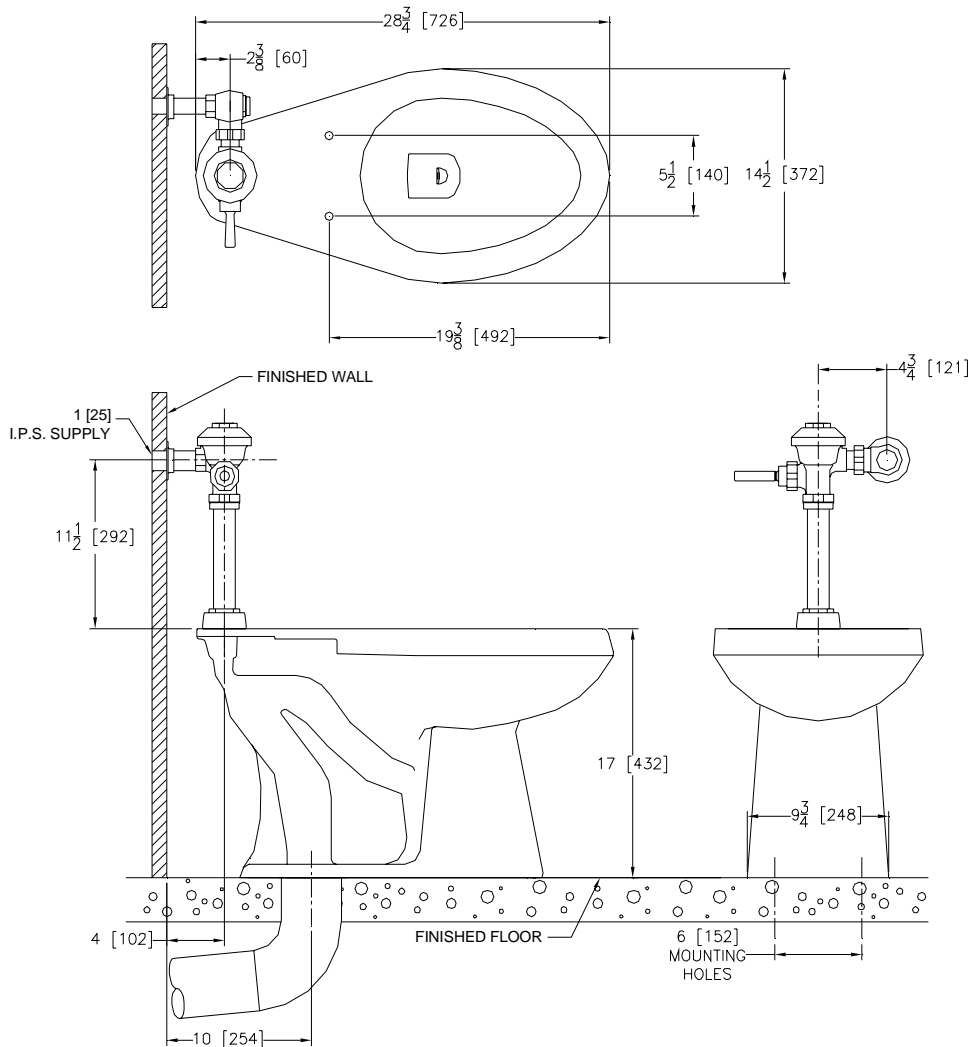
# Z5660

## 1.6 GPF ADA Height, Elongated Floor Mounted Flush Valve Toilet Rough-in

TAG \_\_\_\_\_

Rough-in dimensions for Z5660 Series

- Z5660 with top spud
- Z5661 with bedpan lugs



*These dimensions and specifications are subject to change without notice.*

*Fixture dimensions meet ANSI/ASME standard A112.19.2 and CAN/CSA B45 requirements.*

*Meets the American Disabilities Guidelines and ANSI A117.1 requirements.*



Distributed by:

**WaterWise Technologies International**  
P.O. Box 18959 · Asheville, NC 28804

[www.waterwisetech.net](http://www.waterwisetech.net)  
828.252.8144